



HORTON
Horton International Trading

Mechanical carbon/graphite products and application

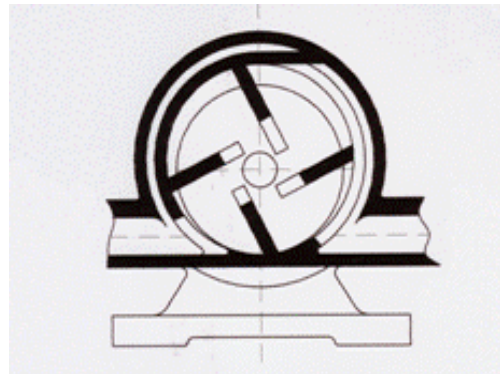
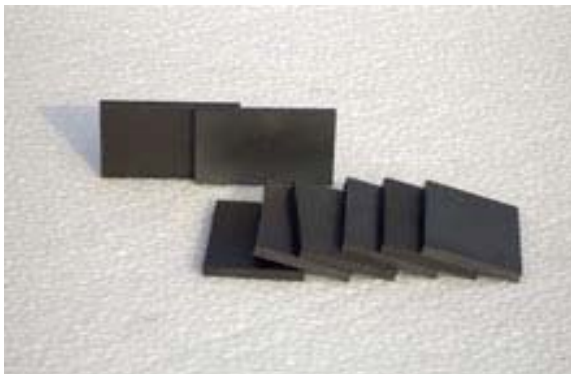
Edit by Candy

Carbon Graphite Vane/Plate

Carbon vanes are self lubricating, and therefore ideal for pumps handling liquids whose lubricating properties are poor, such as petrol. They can also operate un-lubricated in compressors to deliver air or gas uncontaminated by lubricated oil or grease, in which the carbon gives a fine polish to the cylinder wall which reduced the wear rate of the vane after bedding in to negligible proportions.

Applications

- Dry running rotary compressors and vacuum pumps
- Mobile compressors fitted to bulk delivery tankers
- printing machinery
- Spray paint equipment
- Packing machinery
- Food processing equipment
- Wet running vane pump and meters
- Automotive diesel fuel pumps
- Drink vending machines
- Fuel tanker meters



Our Carbon vanes are made in a range of carbon materials (carbon graphite, metal impregnated carbon graphite and resin bonded graphite) to meet many differing application requirements. All of our Industrial carbon grades retain the basic properties which make carbon unique as an engineering material, and particularly suited for vanes which may operate in conditions beyond the limits of other materials.

Type: M106k, M180K, M106D, M254D, M120B etc.

Carbon/ Graphite Sealing ring

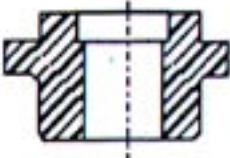
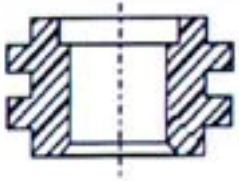
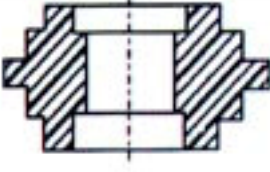
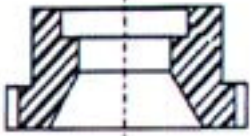

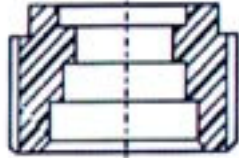
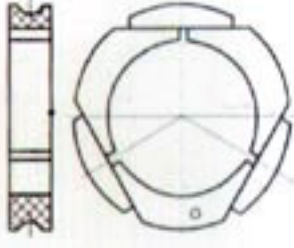
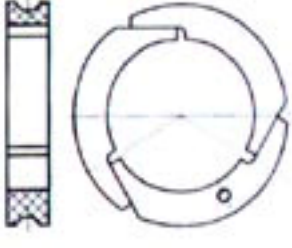
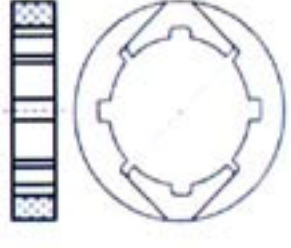
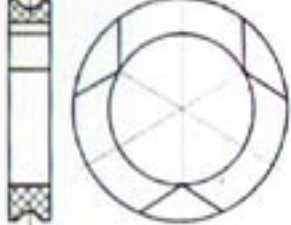
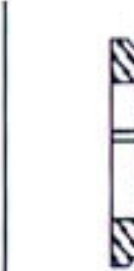
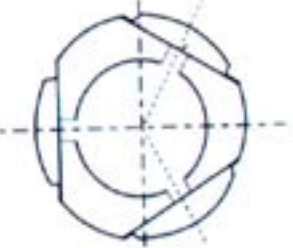
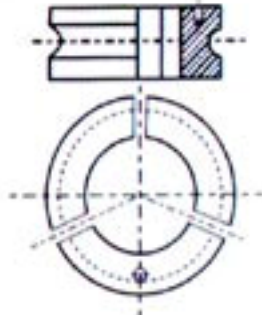
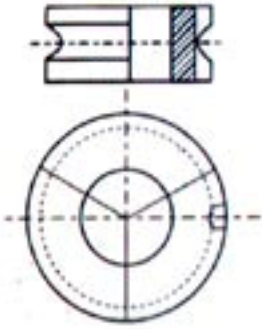
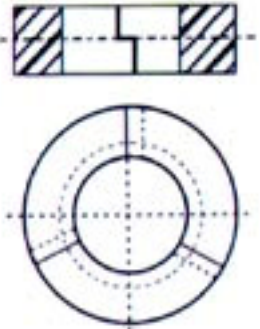
Properties

- 1) Excellent self-lubrication
- 2) Remarkable chemical corrosion resistance
- 3) High thermal conductivity and thermal stability
- 4) Adequate mechanical strength and stock resistance
- 5) Having good machinability may be machined into various geometry shapes on request.

Applications

This product are widely used as equipments of modern industry, such as Seal Rings for Centrifugal Pumps, Reacting Pots for Chemical Engineering, Hydraulic Generators and Rotate Baking Furnace; Piston Rings and Bushings for Vacuum Pumps, Air Compressors and Pumps of Printing Machines; Bursting Discs in Chemical Equipments; distributing Discs and Radial Blocks in Cigarette Equipments, etc.

Dwg. For the Sealing Part

Type	The Basic Style		
Stationary Seal Ring			
Rotating Seal Ring			
Piston Seal Ring			
			
Bearing -- Seal Ring			

Sealing ring under the dry gas



These products are applied under the dry gas. It's he substitute of imported products.

Specification: Under Dia.500mm

Piston Rings for different application



These products are used for different compressors, pumps and other equipments.

Materials: M200K, M200D, M200T(Pure carbon), M180K, M181K and so on.

Carbon Graphite Shaft Seal



Carbon Graphite Bearing



This product is mainly used as Thrust Bearings for Screened Pump, Submerged Deep-well Pump, Vacuum Pump and compressor.

Material: Resin-impregnated Graphite, Metal-impregnated Graphite (Cooper, Antimony and Glass etc.)

Mechanical Carbon Grades, and Properties

Type	Impregnated Material	Bulk Density g/cm	Transverse Strength Mpa.	Compressive Strength Mpa	Hardness Shore	Porosity	Coefficient of Expansion X10/°C	Max. Suitable Temperature
Pure Carbon								
M191T	Pure carbon	1.82	100	250	94	1.0	5.5	600
M200T		1.8	60	150	58	1.0	4.5	600
Resin-impregnated carbon/Graphite								
M180K	Furan Resin	1.82	80	240	90	1.0	5.5	210
M200K		1.82	55	115	55	1.0	4.5	
M170k		1.80	70	220	85	1.5	5.5	
M106K		1.65	65	230	90	1.5	5.5	
Metal-impregnated Graphite								
M181D	Antimony (D)	2.3	80	200	80	2.0	5.5	350
M200D		2.4	45	120	40	2.0	5.0	
M181P	Copper	2.4	80	250	75	2.5	6.0	
M200P		2.6	45	120	35	2.5	5.5	
M181B	Babbitt	2.4	65	160	60	8.0	5.5	200
M200B		2.4	35	65	35	8.0	5.0	

Application Note:

- 1、Choosing the material should note: the pressure, working temperature, working medium, linear velocity and the related data.
- 2、Refer to the compressive strength inquiry of the equipment, it's good idea to cloth for the mechanical parts with metal.
- 3、The friction face should be cleaned when the mechanical sealing parts are used.

We also have the other reference graphite products. If there are any inquiry, please kindly let us know.

Thanks and best regards,

Candy

Graphite Department

Dalian Horton International Trading Co., Ltd.

Tel:+86-411-82336577

Fax: +86-411-82336278

E-mail: candy@chinahorton.com

